

MagnaClean™ HP

28mm valves

Product Specification

ADEY®

MagnaClean HP™ 28mm Valves Technical Specification

MagnaClean HP is designed specifically for renewable and underfloor heating systems with high flow rates. With magnetic and dedicated non-magnetic capture, *MagnaClean HP* helps to keep the system working to optimum efficiency.

Features

- Designed specifically for renewable and underfloor heating systems
- Powerful magnetic capture
- Dedicated non-magnetic capture area
- High flow rate up to 80 (L/min)
- Non-blocking design minimises effect of debris on flow rate
- 10 year warranty

Benefits

- Protects heating systems from magnetic and non-magnetic debris
- Large canister ports enable high flow and low pressure drops to aid system efficiency
- Easy to install and service

Fit a filter every time

MagnaClean HP should ideally be fitted in-line on the return pipe, Alternative sitings can be located when the return pipe is not available. *MagnaClean HP* must be installed indoors and is not suitable for external use. ADEY always recommends that a magnetic filter be installed on both new and existing systems to extend the operational life of the heating equipment as well as reduce maintenance call-outs and maximise system efficiency.

ADEY Best Practice essentials:

- *MC1+™* Central Heating System PROTECTOR
- *MC3+™* Central Heating System CLEANER



Technical Specification

Internal water operating temperature:

3°C to 95°C

Maximum working pressure: 6 bar

Maximum flow rate: 80 L/min

Canister and lid

Material: Glass reinforced nylon

Fluid capacity: 930ml

Thread: Pressure thread

Flow configuration: Directional inlet on bottom port

Main lid seal: EPDM

Valve to canister: EPDM

Magnet

Housing: Stainless steel

Length: 150mm

Diameter: 19mm

Bleed valve

Body material: Nickel plated brass

Screw: Nickel plated brass

Thread interface: M6

Seals: EPDM

Drain port

Drain plug material: Nickel plated brass

Drain plug thread: M8

Seals: EPDM

Valves

Body material: Nickel plated brass

Seals material: Long life PTFE ball seals

O ring material: EPDM

Valve inlet/outlet: 28mm compression

Servicing Clearance

Air vent (top): 50mm

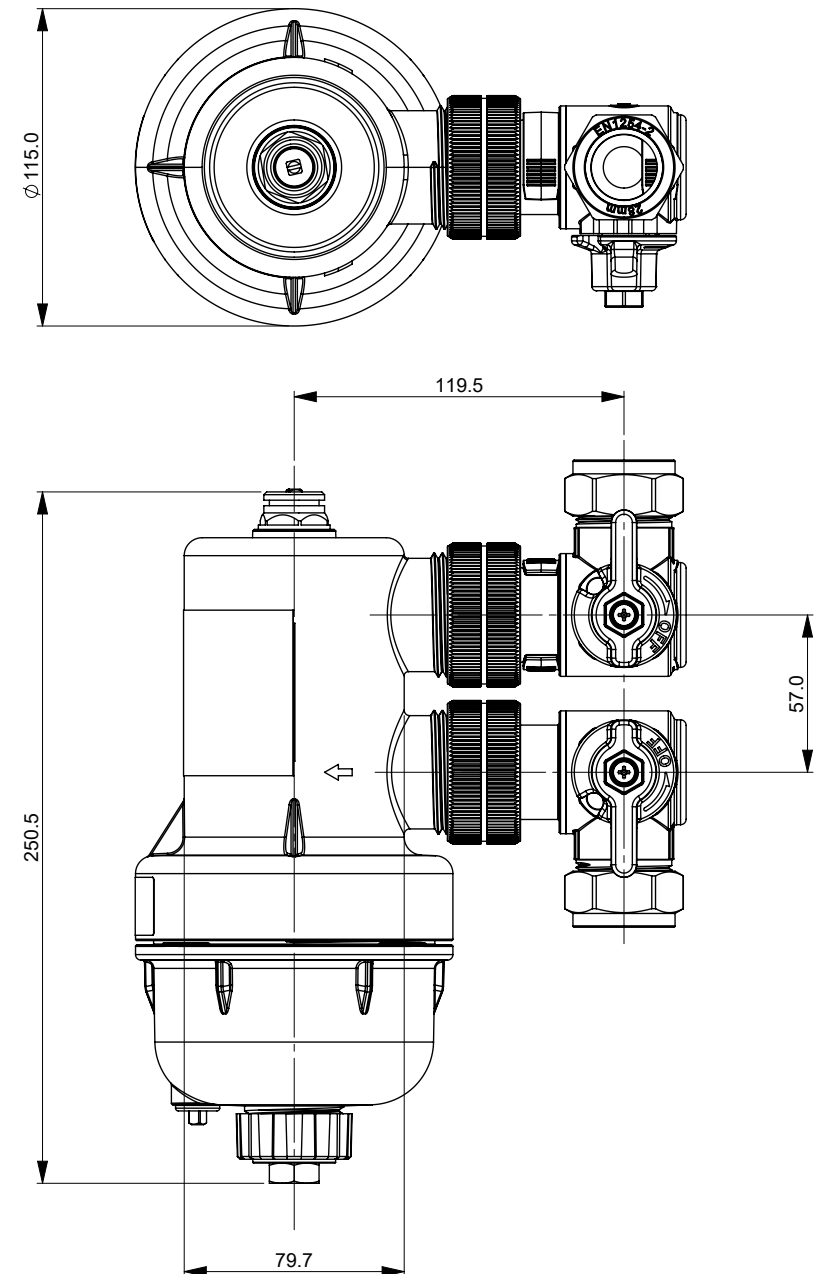
Drain Plug (bottom): 50mm

Packaging and handling

Packaged in single units with all components included

Storage

No special storage requirements necessary

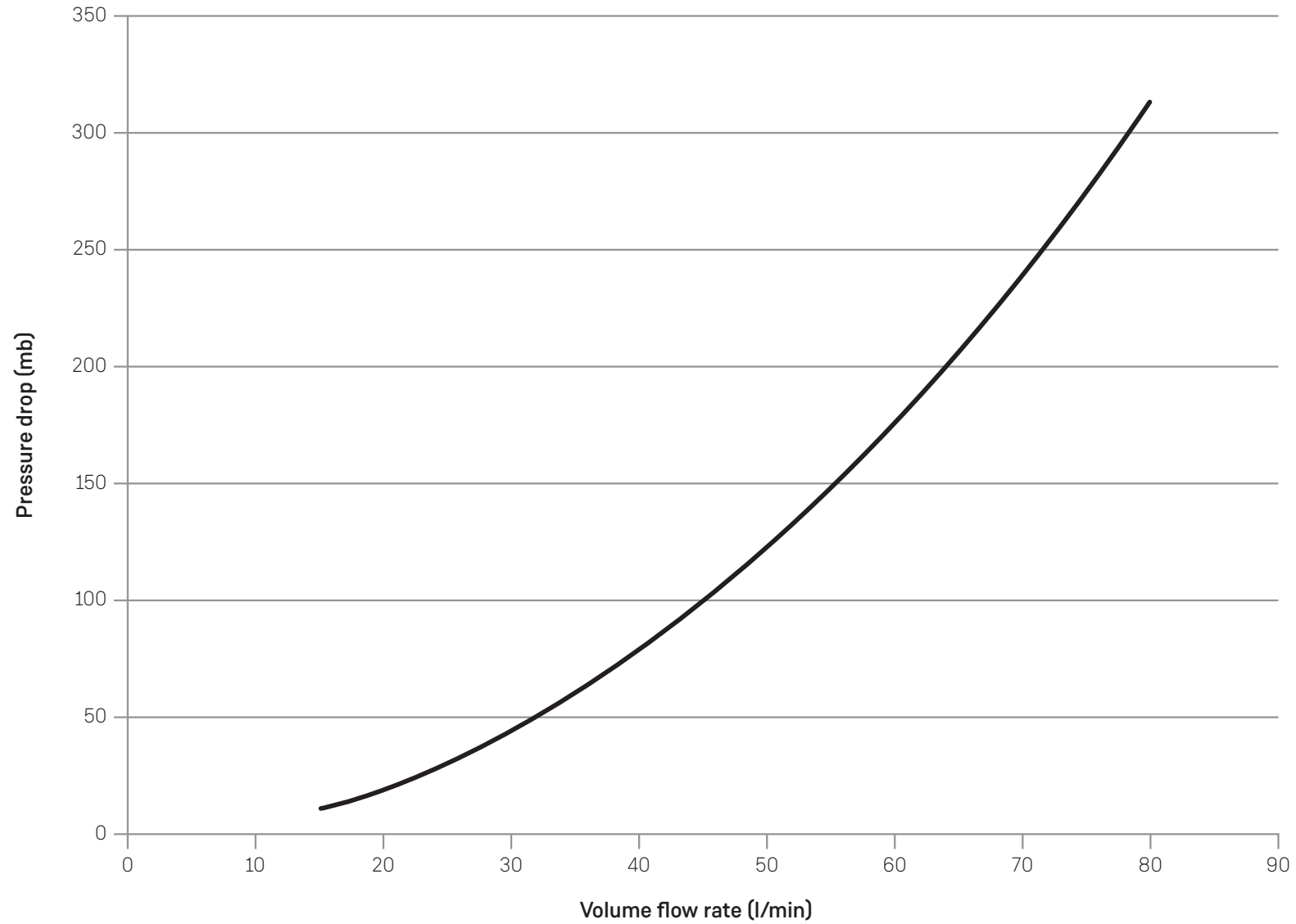


Full installation instructions are available online, by scanning this QR code:
For further information contact info@adey.com



Flow resistance graph

MagnaClean HP 28mm Compression



Application

The 360° rotational valves on the *MagnaClean HP* give you multiple installation options.

For best results, we recommended that dirty systems are thoroughly cleaned before installation of a *MagnaClean*® filter.

Always re-dose the system with ADEY *MC1+* Central Heating System PROTECTOR following cleansing or maintenance.

